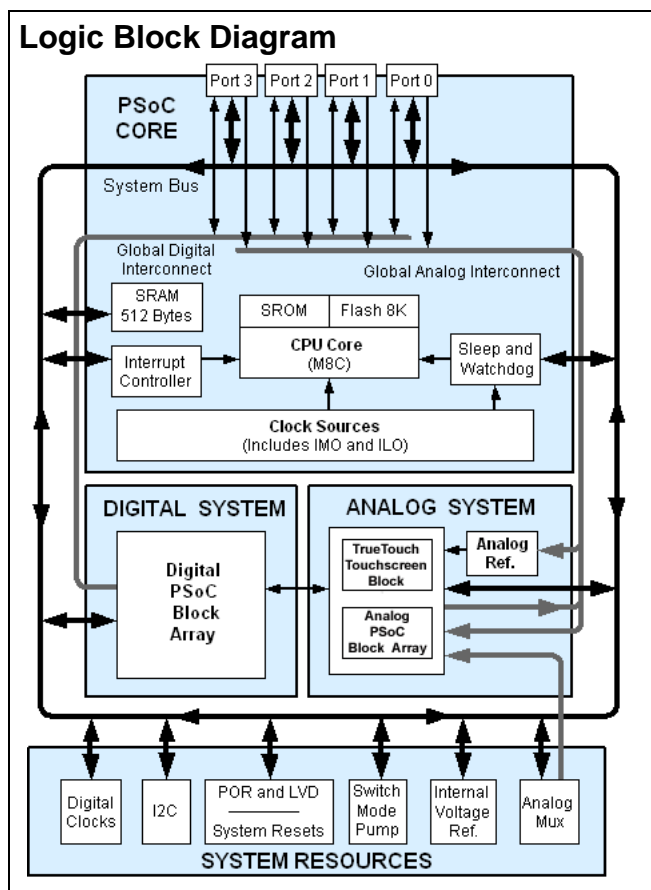


# TrueTouch™ Multi-Touch Gesture Touchscreen Controller

## Features

- TrueTouch™ Capacitive Touchscreen Controller
  - Supports Single-Touch and Multi-Touch Applications
  - Supports up to 25 X/Y Sensor Inputs
  - Supports Screen Sizes 4" and Below (Typical)
  - Fast Scan Rates: Typical 1 ms per Sensor
  - High Resolution: Typical 320 x 240 for 2.6" Screen
  - Available in 32-Pin QFN Package
- Highly Configurable Sensing Circuitry
  - Allows Maximum Design Flexibility
  - Allows Trade-Off Between Scan Time and Noise Performance
- Includes Gesture Detection Library
- Allows Development of Customized Gestures
- Provides Maximum EMI Immunity
  - Selectable Spread-Spectrum Clock Source
- Low Power TrueTouch Single-Touch Touchscreen Device
  - 4 mA Average Supply Current at 8 ms Report Rate
  - 2 mA Average Supply Current at 16 ms Report Rate
- Powerful Harvard Architecture Processor
  - M8C Processor Speeds to 24 MHz
  - Low Power at High Speed
  - 2.4V to 5.25V Operating Voltage
  - Industrial Temperature Range: -40°C to +85°C
- Flexible On-Chip Memory
  - 8K Flash Program Storage, 50000 Erase/Write Cycles
  - 512 Bytes SRAM Data Storage
  - In-System Serial Programming (ISSP™)
  - Partial Flash Updates
  - Flexible Protection Modes
  - EEPROM Emulation in Flash
- Complete Development Tools
  - Free Development Software (PSoC Designer™)
  - TrueTouch Touchscreen Tuner
  - Full-Featured, In-Circuit Emulator and Programmer
  - Full Speed Emulation
  - Complex Breakpoint Structure
  - 128K Trace Memory
- Precision, Programmable Clocking
  - Internal ±2.5% 24 and 48 MHz Oscillator
  - Internal Oscillator for Watchdog and Sleep
- Programmable Pin Configurations
  - 25 mA Drive on All GPIO
  - Pull Up, Pull Down, High Z, Strong, or Open Drain Drive Modes on All GPIO
  - Up to 8 Analog Inputs on GPIO
  - Configurable Interrupt on All GPIO
- Additional System Resources
  - I<sup>2</sup>C™ Master, Slave, and Multi-Master to 400 kHz
  - Watchdog and Sleep Timers
  - User-Configurable Low Voltage Detection
  - Integrated Supervisory Circuit
  - On-Chip Precision Voltage Reference



## Document History Page

<b>Document Title: CY8CTMG110 TrueTouch™ Multi-Touch Gesture Touchscreen Controller</b>				
<b>Document Number: 001-46928</b>				
Revision	ECN	Orig. of Change	Submission Date	Description of Change
**	2518134	DSO/AESA	06/18/08	New data sheet

## Sales, Solutions, and Legal Information

### Worldwide Sales and Design Support

Cypress maintains a worldwide network of offices, solution centers, manufacturer’s representatives, and distributors. To find the office closest to you, visit us at [cypress.com/sales](http://cypress.com/sales).

### Products

PSoC	<a href="http://psoc.cypress.com">psoc.cypress.com</a>
Clocks & Buffers	<a href="http://clocks.cypress.com">clocks.cypress.com</a>
Wireless	<a href="http://wireless.cypress.com">wireless.cypress.com</a>
Memories	<a href="http://memory.cypress.com">memory.cypress.com</a>
Image Sensors	<a href="http://image.cypress.com">image.cypress.com</a>

### PSoC Solutions

General	<a href="http://psoc.cypress.com/solutions">psoc.cypress.com/solutions</a>
Low Power/Low Voltage	<a href="http://psoc.cypress.com/low-power">psoc.cypress.com/low-power</a>
Precision Analog	<a href="http://psoc.cypress.com/precision-analog">psoc.cypress.com/precision-analog</a>
LCD Drive	<a href="http://psoc.cypress.com/lcd-drive">psoc.cypress.com/lcd-drive</a>
CAN 2.0b	<a href="http://psoc.cypress.com/can">psoc.cypress.com/can</a>
USB	<a href="http://psoc.cypress.com/usb">psoc.cypress.com/usb</a>

© Cypress Semiconductor Corporation, 2008. The information contained herein is subject to change without notice. Cypress Semiconductor Corporation assumes no responsibility for the use of any circuitry other than circuitry embodied in a Cypress product. Nor does it convey or imply any license under patent or other rights. Cypress products are not warranted nor intended to be used for medical, life support, life saving, critical control or safety applications, unless pursuant to an express written agreement with Cypress. Furthermore, Cypress does not authorize its products for use as critical components in life-support systems where a malfunction or failure may reasonably be expected to result in significant injury to the user. The inclusion of Cypress products in life-support systems application implies that the manufacturer assumes all risk of such use and in doing so indemnifies Cypress against all charges.

Any Source Code (software and/or firmware) is owned by Cypress Semiconductor Corporation (Cypress) and is protected by and subject to worldwide patent protection (United States and foreign), United States copyright laws and international treaty provisions. Cypress hereby grants to licensee a personal, non-exclusive, non-transferable license to copy, use, modify, create derivative works of, and compile the Cypress Source Code and derivative works for the sole purpose of creating custom software and or firmware in support of licensee product to be used only in conjunction with a Cypress integrated circuit as specified in the applicable agreement. Any reproduction, modification, translation, compilation, or representation of this Source Code except as specified above is prohibited without the express written permission of Cypress.

Disclaimer: CYPRESS MAKES NO WARRANTY OF ANY KIND, EXPRESS OR IMPLIED, WITH REGARD TO THIS MATERIAL, INCLUDING, BUT NOT LIMITED TO, THE IMPLIED WARRANTIES OF MERCHANTABILITY AND FITNESS FOR A PARTICULAR PURPOSE. Cypress reserves the right to make changes without further notice to the materials described herein. Cypress does not assume any liability arising out of the application or use of any product or circuit described herein. Cypress does not authorize its products for use as critical components in life-support systems where a malfunction or failure may reasonably be expected to result in significant injury to the user. The inclusion of Cypress’ product in a life-support systems application implies that the manufacturer assumes all risk of such use and in doing so indemnifies Cypress against all charges.

Use may be limited by and subject to the applicable Cypress software license agreement.